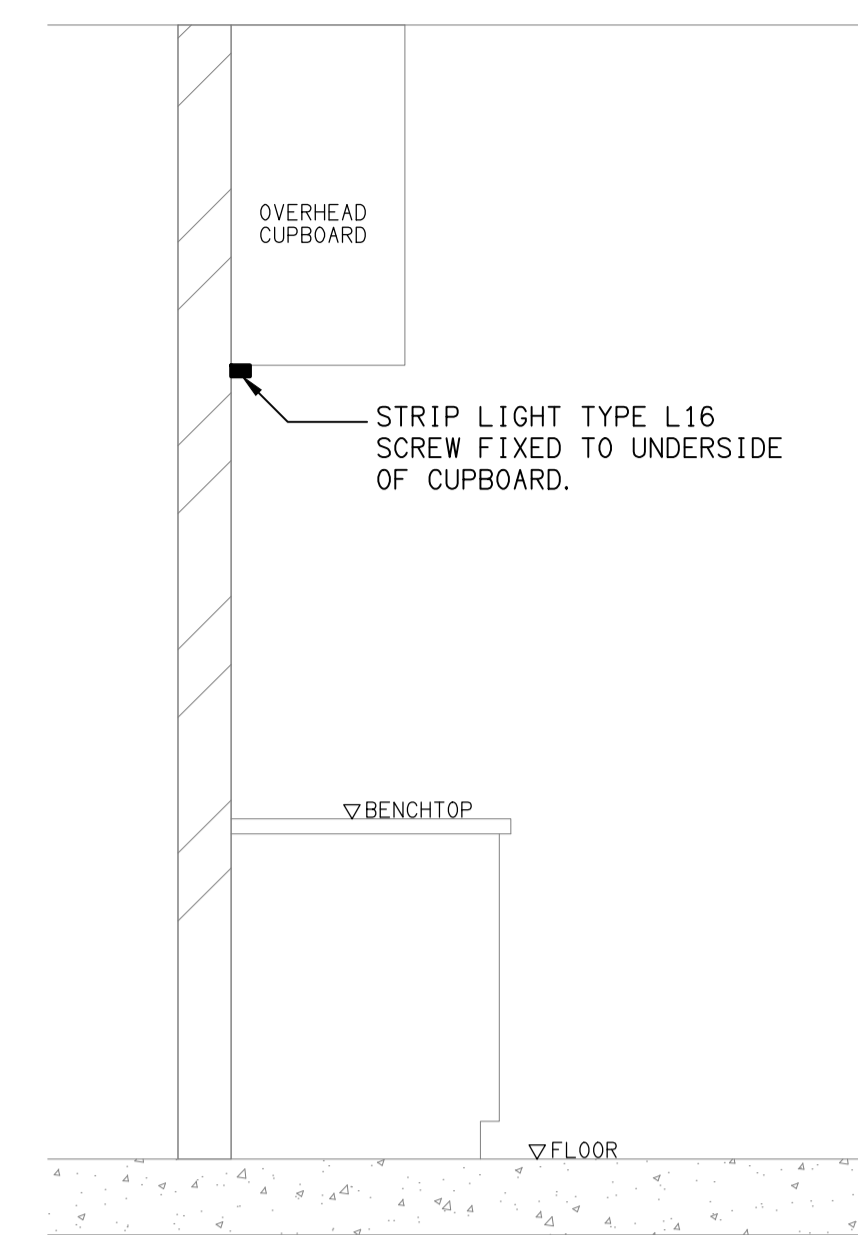


LEGEND

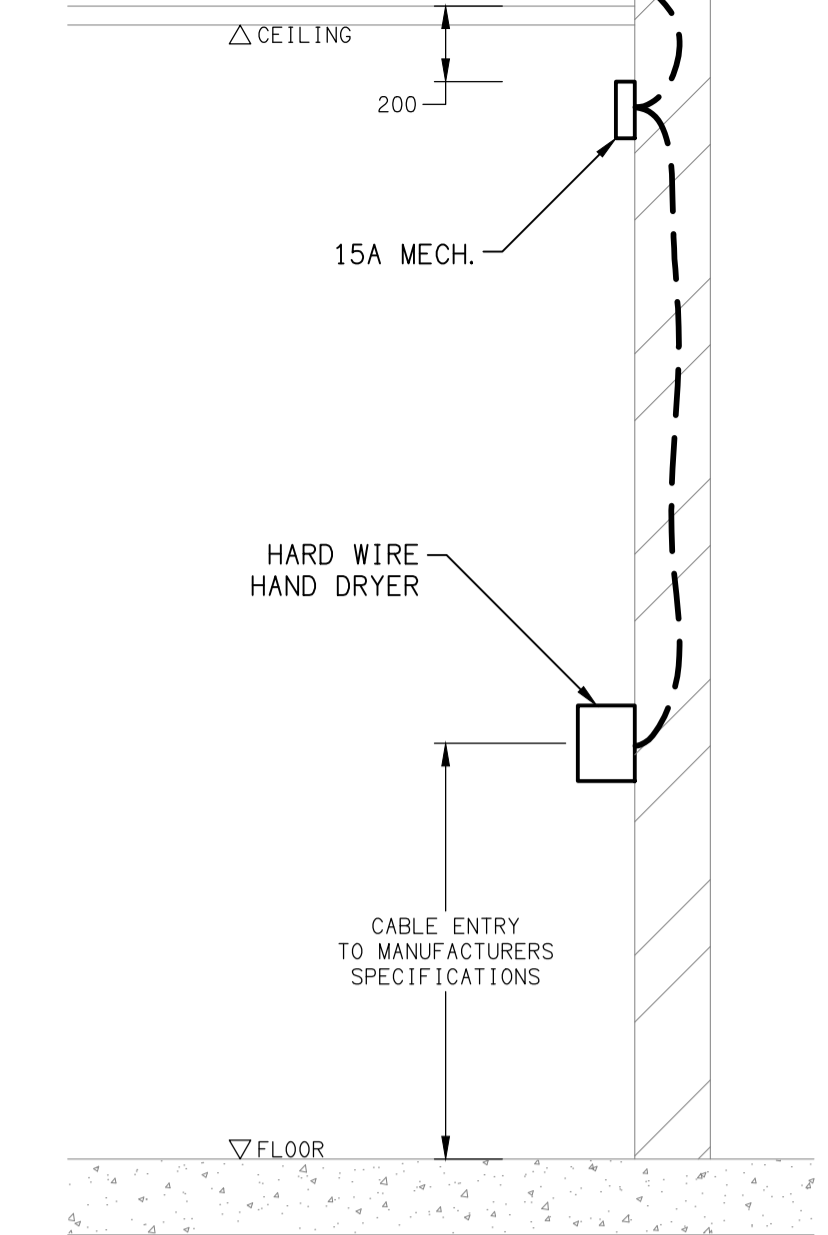
- ELECTRICAL SERVICES SWITCHBOARD.
- SWITCHBOARD BY OTHERS.
- SINGLE POWER OUTLET.
- DOUBLE POWER OUTLET.
- SPECIAL PURPOSE POWER OUTLET.
- SIGNAGE OUTLET.
- SINGLE PHASE ISOLATOR.
- THREE PHASE ISOLATOR.
- EV CHARGER CONNECTION, TYPE AS NOTED.
- ELECTRICAL FLOOR BOX, TYPE AS NOTED.
- HAND DRYER CONNECTION.
- LIGHTING PRESENCE DETECTOR SWITCH.
- LIGHTING CONTROL SWITCH PANEL, TYPE AS NOTED.
- LIGHTING CONTROL CHANNEL REFERENCE.
- CIRCUIT LINE.
- SWITCH LINE.
- POWER CIRCUIT DESIGNATION. DENOTES DB AND CIRCUIT.
- ELECTRICAL EQUIPMENT AS NOTED.
- RJ45 COMMUNICATIONS OUTLET.
- FUSE.
- SINGLE PHASE.
- THREE PHASE.
- CURRENT TRANSFORMER C/W REMOVABLE LINK.
- FUSE LINK.
- COMBINED FUSE SWITCH.
- CIRCUIT BREAKER.
- ISOLATOR.
- RESIDUAL CURRENT DEVICE.
- CONTACTOR - NORMALLY OPEN.
- CONTACTOR - NORMALLY CLOSED.
- ENERGEX REVENUE METER.

LEGEND

- E1: GENERAL LED EMERGENCY LIGHT.
- EX: EMERGENCY LED EXIT LIGHT.
- Lx: LIGHT FITTING C/W NON-MAINTAINED EMERGENCY BATTERY PACK. TYPE AS NOTED.
- L1: KIA LOOP LIGHT RED LED.
- L2: FLUSH CEILING RECESSED CUSTOMER LED EXTRUSION.
- L3: FLUSH WALL RECESSED CUSTOMER LED EXTRUSION.
- L4: SHOWROOM AREA DOUBLE HEAD LED RECESSED DOWN LIGHTS MOUNTED IN CEILING RECESS.
- L5: SHOWROOM RECESSED LED DOWNLIGHT.
- L6: AMENITY RECESSED LED DOWNLIGHT.
- L7: GENERAL 22W RECESSED LED DOWNLIGHT.
- L8: GENERAL 28W RECESSED LED DOWNLIGHT.
- L9: 1200 LONG NON SWITCHED NON MAINTAINED EMERGENCY LIGHT.
- L10: 1200 x 300 RECESSED LED FLAT PANEL TROFFER.
- L11: KIA SUSPENDED HIGH LIGHT LED EXTRUSION.
- L12: 1200 LONG BATTEN.
- L13: EXTERNAL WALL LIGHT.
- L14: 100W SUSPENDED HIGH BAY.
- L15: 150W SUSPENDED HIGH BAY.
- L16: OVERHEAD CUPBOARD LED STRIP LIGHT.
- L17: KIA DECORATIVE PENDANT.



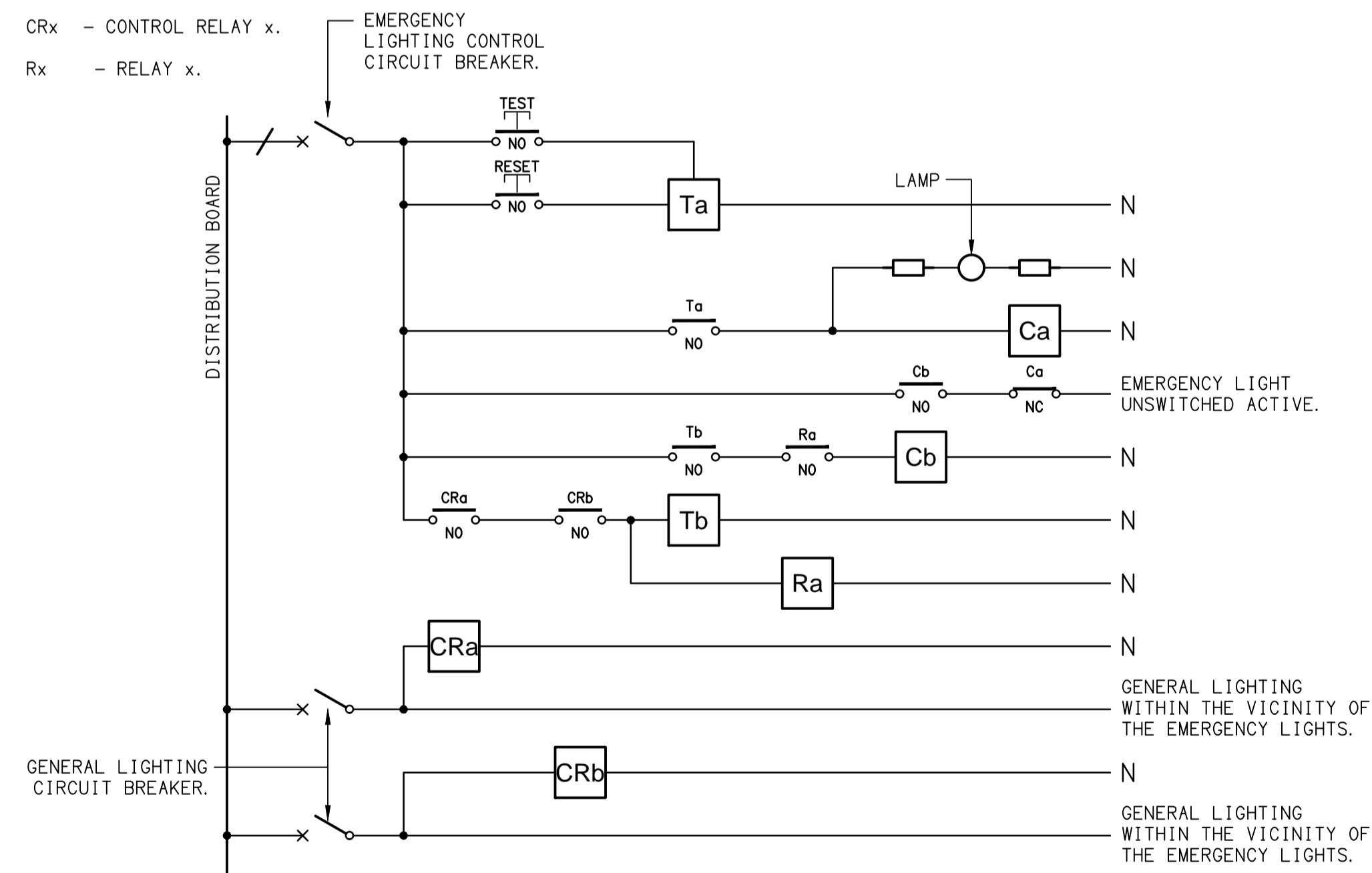
DETAIL
"L16" TYPE STRIP LIGHT MOUNTING
NOT TO SCALE



DETAIL
HAND DRYER CONNECTION
NOT TO SCALE

EQUIPMENT:

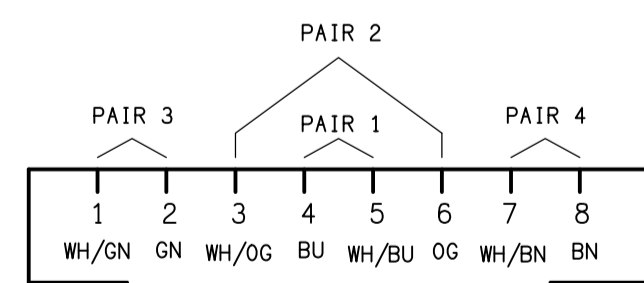
- TEST - TEST PUSH BUTTON MOUNTED ON THE DISTRIBUTION BOARD ESCUTCHEON.
- RESET - RESET PUSH BUTTON MOUNTED ON THE DISTRIBUTION BOARD ESCUTCHEON.
- LAMP - AMBER TEST INDICATING LAMP MOUNTED ON THE DISTRIBUTION BOARD ESCUTCHEON.
- Ta - ADJUSTABLE 0-3 HOUR TIMED RELAY.
- Tb - 15 MINUTE RUN-ON TIMER TO OPERATE UPON THE RETURN OF MAINS POWER.
- Cx - CONTACTOR x.
- CRx - CONTROL RELAY x.
- Rx - RELAY x.



SCHEMATIC
EMERGENCY LIGHTING
NOT TO SCALE

NOTES

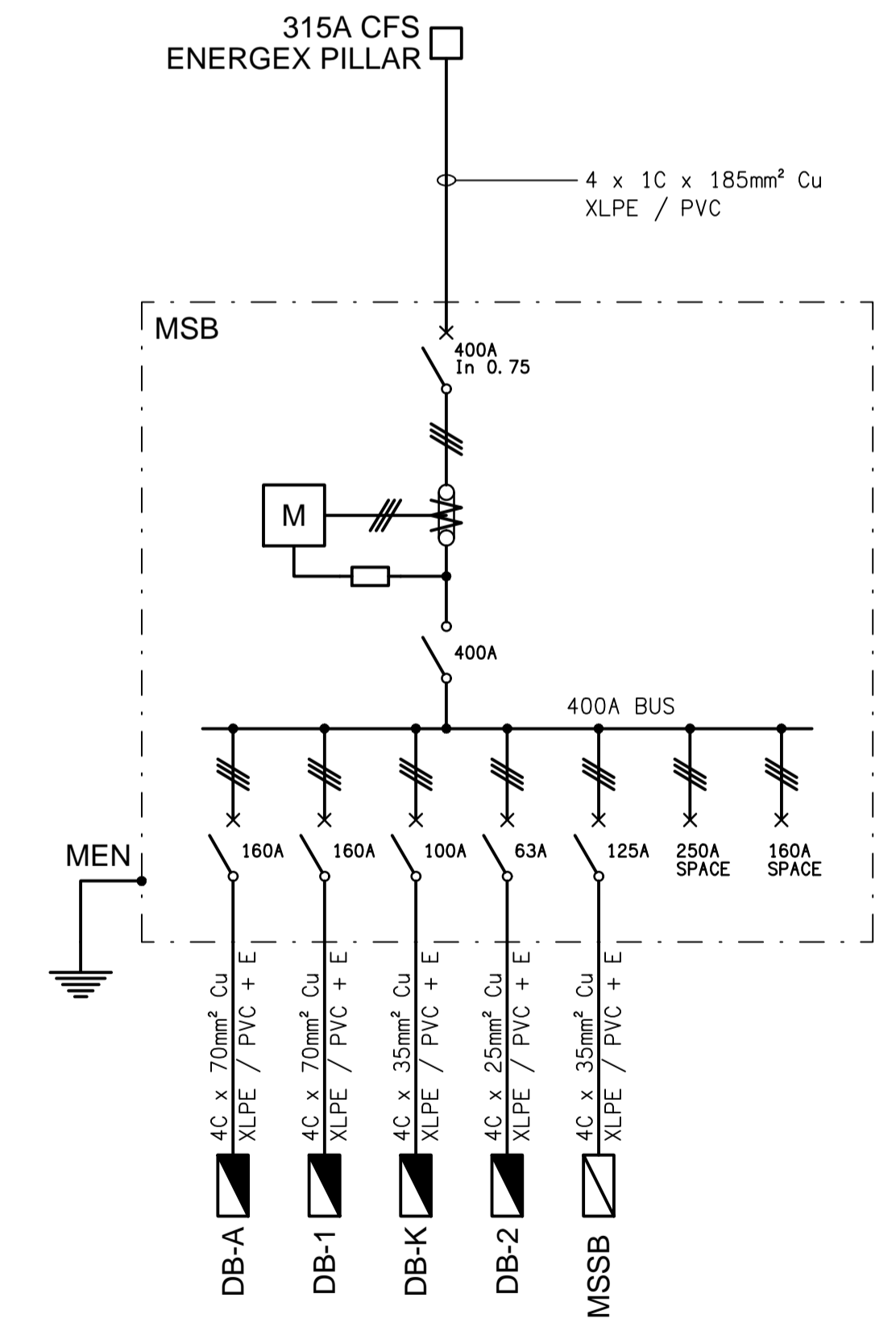
1. THE EMERGENCY LIGHT UNSWITCHED ACTIVE / GENERAL LIGHTING SWITCHED ACTIVE CIRCUIT ARRANGEMENT AND CONTROL IS TYPICAL FOR ALL CIRCUITS SUPPLYING EMERGENCY LIGHTS.
2. PROVIDE ADDITIONAL CONTROL RELAYS (CRx) CONFIGURED AS PER CRa AND CRb FOR ALL ADDITIONAL LIGHTING CIRCUITS THAT SUPPLY LIGHTS IN THE VICINITY OF THE EMERGENCY LIGHTS.



SCHEMATIC
RJ45 PINOUT CONFIGURATION
NOT TO SCALE

NOTE

ALL ELECTRICAL PENETRATIONS THROUGH THE ROOF SHEETING ARE TO BE IN LINE WITH THE STRUCTURAL OR MECHANICAL SERVICES PENETRATIONS TO AVOID DEDICATED FLASHINGS FOR THE ELECTRICAL SERVICES.



SCHEMATIC
POWER CONFIGURATION
NOT TO SCALE